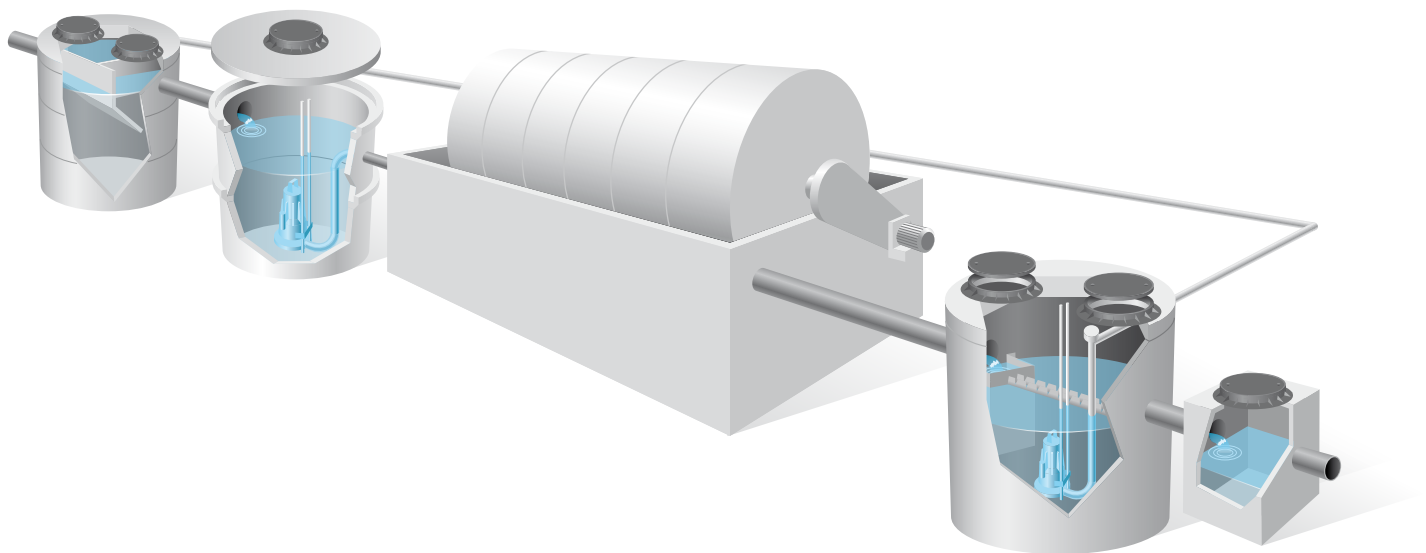


Series OXI/B

Modular rings biological discs plants for 50 to 500 equivalent people.

Technical specifications

Supply of a prefabricated concrete biological treatment plant type EMS WATER TECHNOLOGY series OXI/B, composed of a highly resistant concrete modular rings primary sedimentation tank to be sealed on site, a monobloc concrete tank to contain the biological discs with a gearbox and fiberglass cover. The supply also includes the highly resistant concrete modular rings final sedimentation tank to be sealed on site with a recycling system to the head of the plant, electrical control and protection panel of all the devices.



DESCRIPTION	MEASURE UNIT	MODEL									
		OXI/B 50	OXI/B 100	OXI/B 150	OXI/B 200	OXI/B 250	OXI/B 300	OXI/B 350	OXI/B 400	OXI/B 450	OXI/B 500
Equivalent people	n.	50	100	150	200	250	300	350	400	450	500
Daily flow	mc/g	10	20	30	40	50	60	70	80	90	100
Organic load (BOD)	kgBOD/g	3	6	9	12	15	18	21	24	27	30
Biological disc surface	m ²	220	370	600	800	1000	1200	1400	1600	1750	2000
Biological disc diameter	cm	115	115	200	200	200	200	200	200	200	200
Installed power	kW	0,37	0,37	0,55	0,55	0,55	0,55	0,55	0,75	0,75	0,75
Imhoff tank, IMO/A type		25	30	55	85	100	100	100	115	115	145
	width	cm	125	150	200	200	200	200	200	200	300
	height	cm	230	210	210	310	360	360	360	410	225
Biological disc	width	cm	135	135	240	240	240	240	240	240	240
	length	cm	305	415	310	310	310	358	406	455	503
	height	cm	130	130	230	230	230	230	230	230	230
Final sedimentation	width	cm	100	150	200	200	200	250	250	300	300
	height	cm	258	208	228	278	328	235	285	320	395
Weight	q.li	80	104	172	196	208	219	230	254	260	311

The values stated are just for information. EMS WATER TECHNOLOGY retains the right to change them at any time.

The plants may be supplied with different hydraulic flow rates and organic loads than those indicated in the table, which are 200 l/ab. day. and di 60 g BOD5/ab.day